

MILTON

2000W Hair Dryer

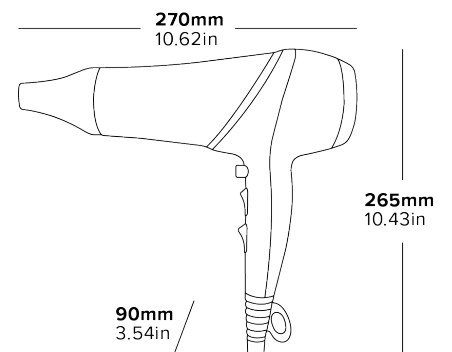
CORBY



- Ergonomic handle design
- Double insulated body
- Coiled cable
- Overheat protection
- Durable Zig Zag heater
- 18,000 RPM

Specification

Black
2000W
0.60kg
72 dB
Cable length: 0.8 - 2.1m



MILTON

2000W Hair Dryer

CORBY



ABOUT THIS PRODUCT

The Milton 2000W hair dryer makes drying hair easy for guests. It uses ionic technology to reduce frizz and enhance shine, with two speeds and three heat settings for a customized experience. The cool blow feature helps set styles, while the coiled cable adds flexibility. The removable filter allows for easy cleaning. This hair dryer features an 18,000 RPM motor for quick and efficient drying, making it a perfect addition to any hotel room.