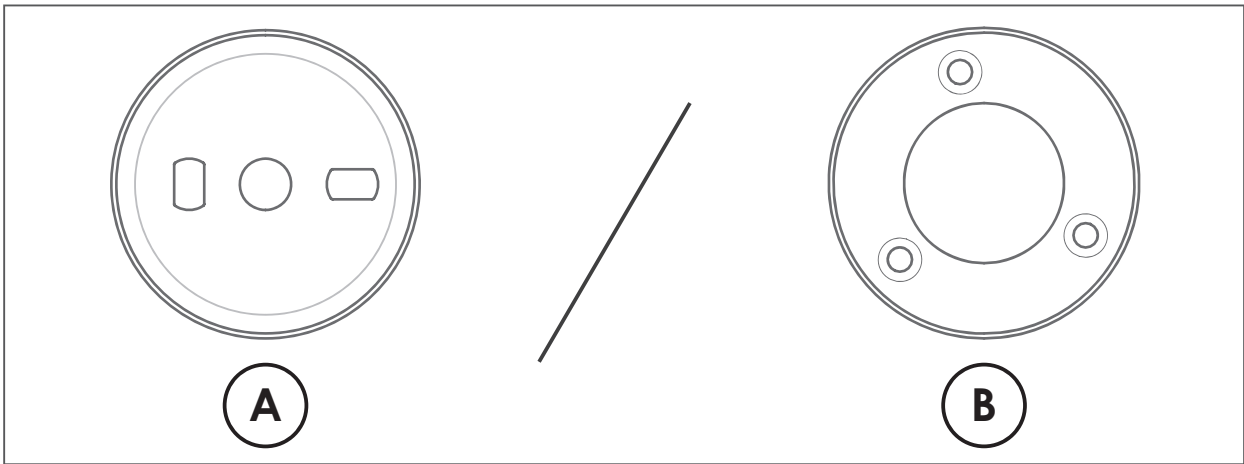
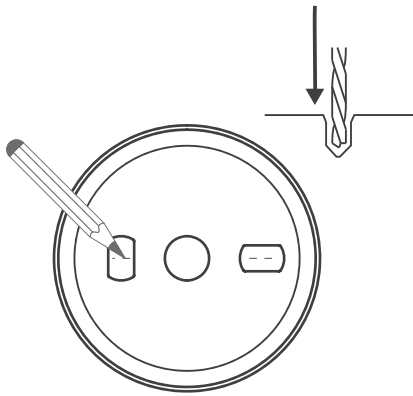


BATHROOM RANGE

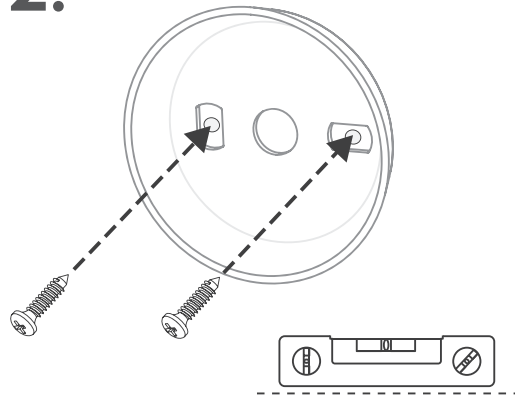


A

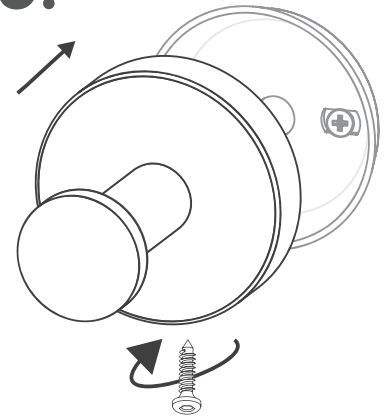
1.



2.

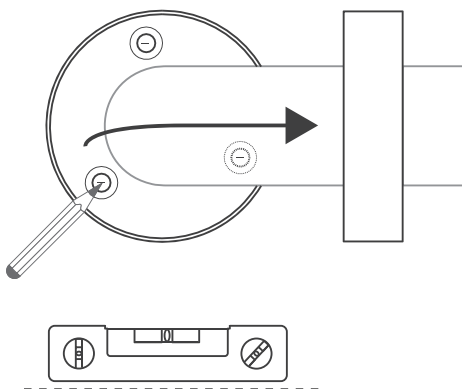


3.

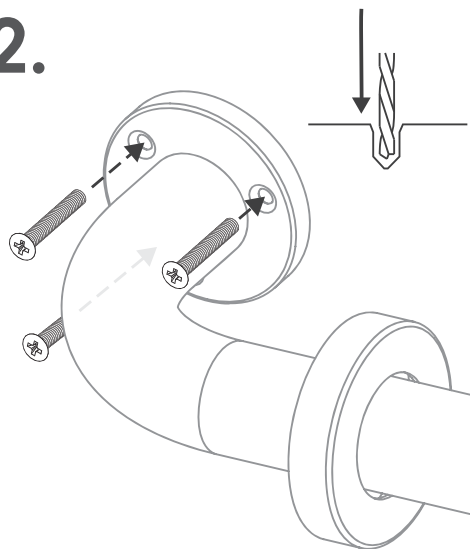


B

1.



2.



3.

